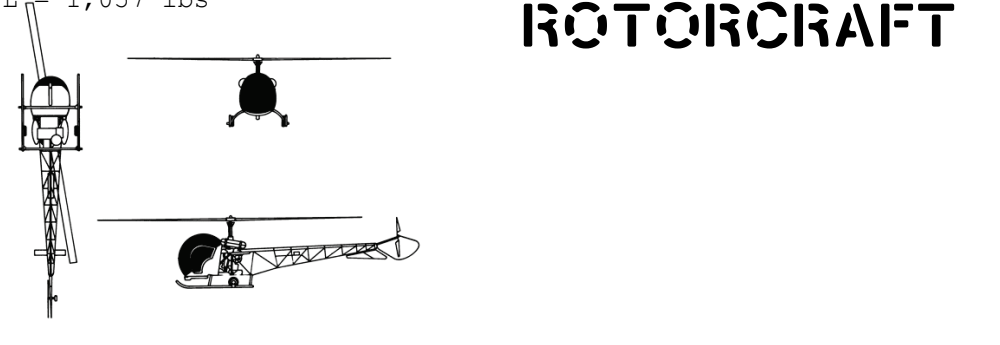
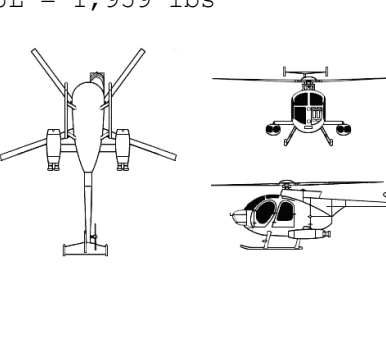


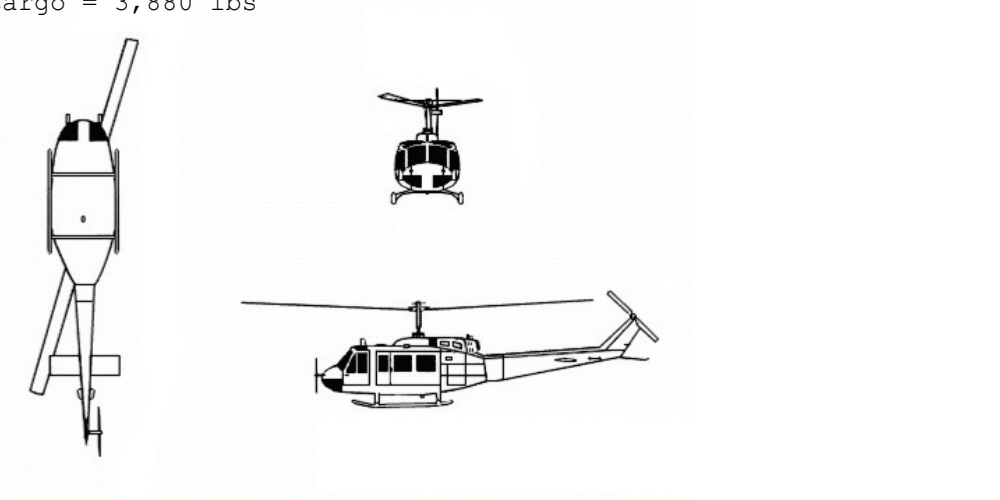
MD-500
Rotor Diameter = 26.3 ft
Length = 23 ft
Gross Weight = 3,500 lb
UL = 1,057 lbs



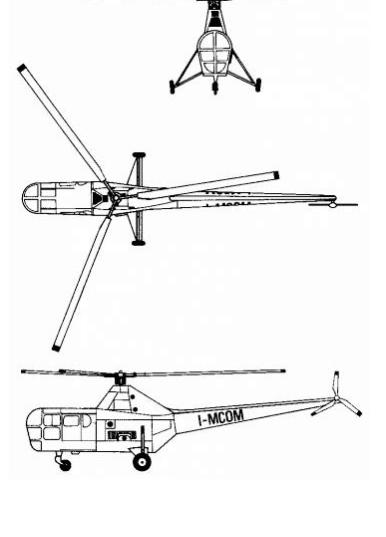
OH-6A-Cayuse-schema
Rotor Diameter = 27.3 ft
Length = 23.0 ft
Gross Weight = 3,549 lb
UL = 1,574 lbs



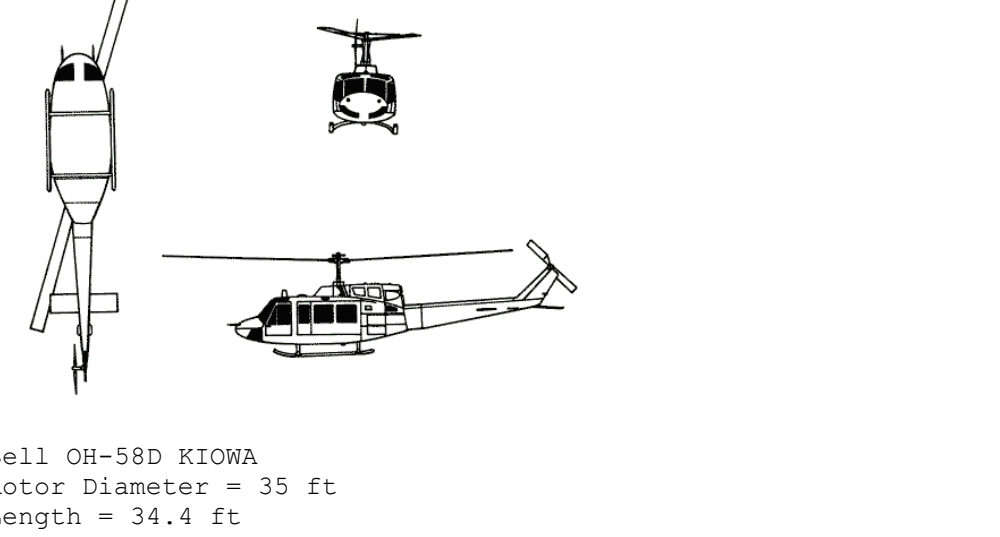
Bell UH-1 IROQUOIS
Rotor Diameter = 48 ft
Length = 42 ft
Gross Weight = 9,040 lb
Cargo = 3,880 lbs



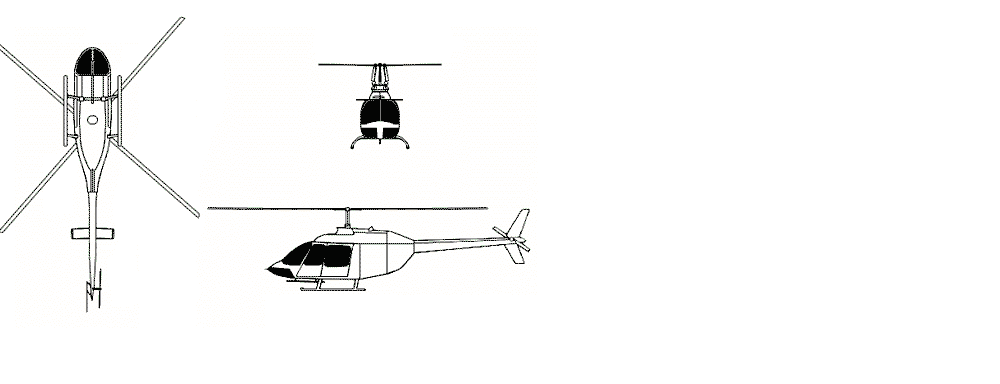
SIKORSKY H-5
Rotor Diameter = 48 ft
Length = 43.1 ft
Gross Weight = 4,815 lb



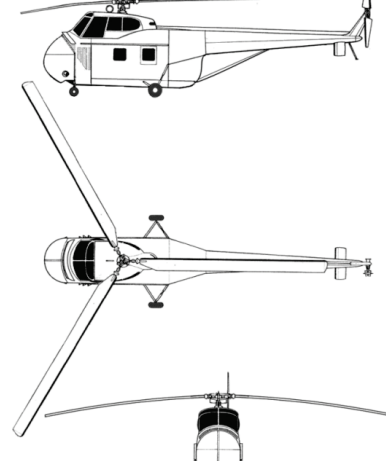
Bell UH-1H MODEL 212
Rotor Diameter = 48 ft
Length = 42 ft
Gross Weight = 11,200 lb



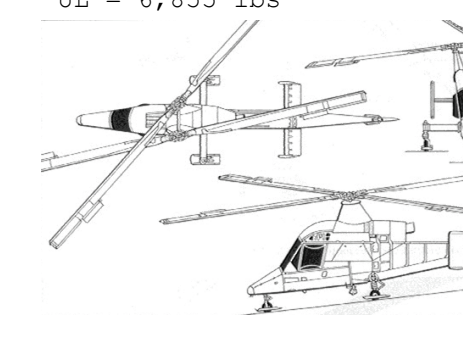
Bell OH-58D Kiowa
Rotor Diameter = 35 ft
Length = 34.4 ft
Gross Weight = 5,500 lb
UL = 1,671 lbs



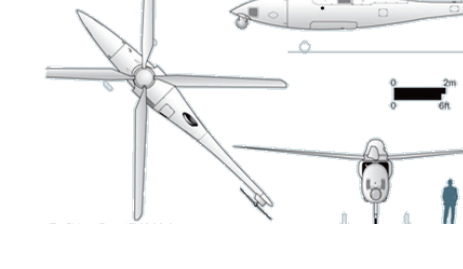
SIKORSKY S-55
Rotor Diameter = 53 ft
Length = 42.3 ft
Gross Weight = 7,900 lb
UL = 3,105 lb



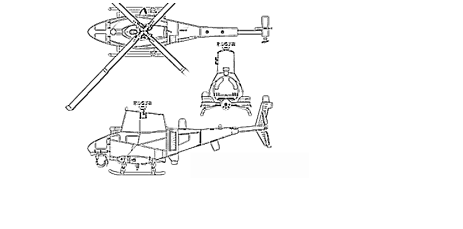
Kaman KMAX
Rotor Diameter = 48.2 ft
Length = 41.8 ft
Gross Weight = 12,000 lb
UL = 6,855 lbs



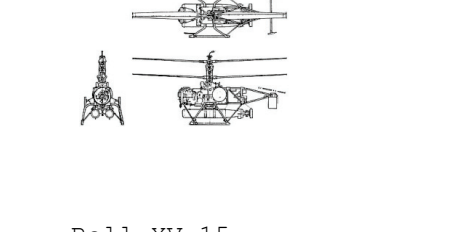
Boeing A-160
Rotor Diameter = 36 ft
Length = 35 ft
Gross Weight = 6,500 lb
UL = 4,000 lbs



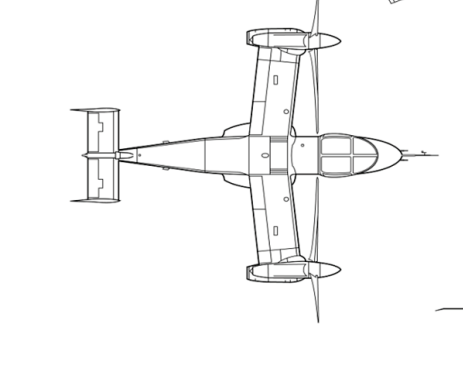
Northrop Grumman MQ-8
Rotor Diameter = 27.5 ft
Length = 24.0 ft
Gross Weight = 3,150 lb
UL = 1,077 lbs



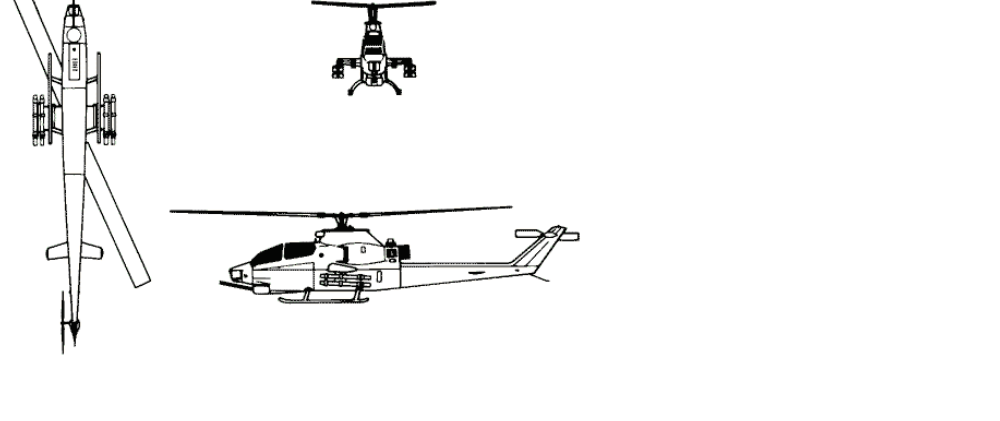
Gyrodyne QH-50C DASH
Rotor Diameter = 20 ft
Length = 22.9 ft
Gross Weight = 2,285 lb
UL = 1,131 lbs



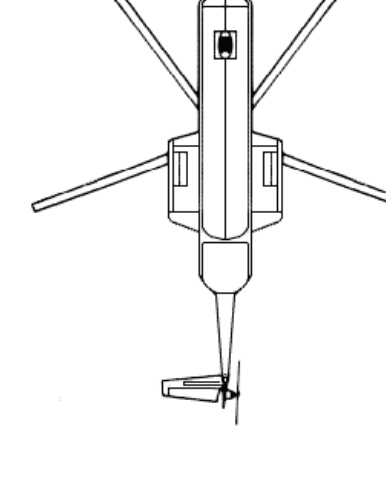
Bell XV-15
Rotor Diameter = 25 ft
Length = 42.1 ft
Gross Weight = 13,000 lb
UL = 2,917 lbs



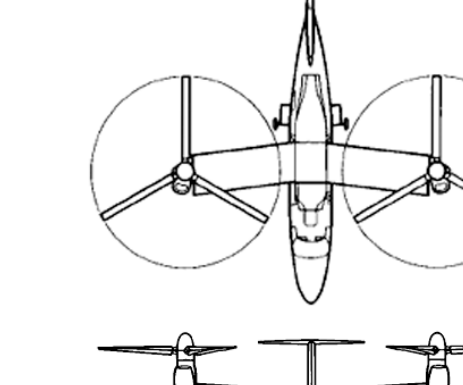
Bell AH-1F SUPER COBRA
Rotor Diameter = 48 ft
Length = 44 ft
Gross Weight = 9,500 lb



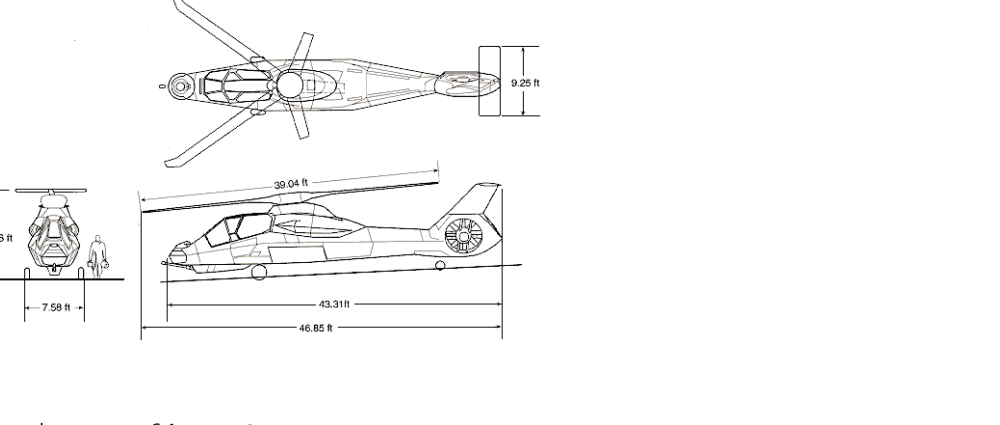
SIKORSKY CH-53B/HU-3E JOLLY GREEN GIANT
Rotor Diameter = 62 ft
Length = 64.8 ft
Gross Weight = 22,050 lb
UL = 8,709 lb



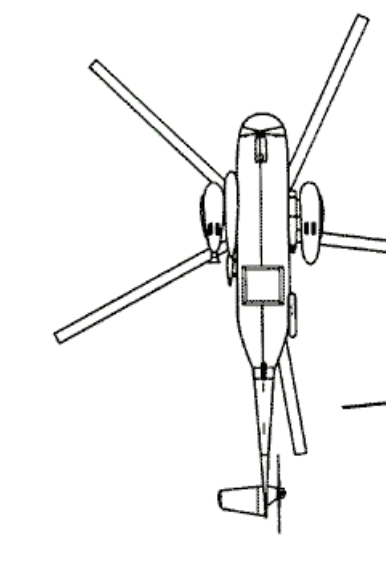
Bell Agusta 609
Rotor Diameter = 56.3 ft
Length = 44 ft
Gross Weight = 16,800 lb
UL = 5,500 lbs



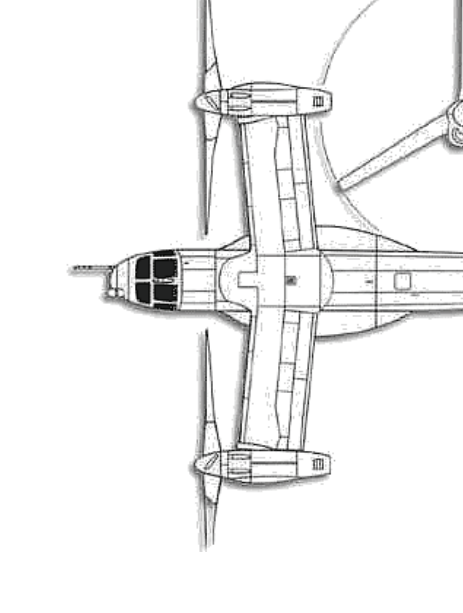
Boeing-Sikorsky RAH-66 Comanche
Rotor Diameter = 39 ft
Length = 43.3 ft
Gross Weight = 17,175 lb
UL = 8,485 lbs



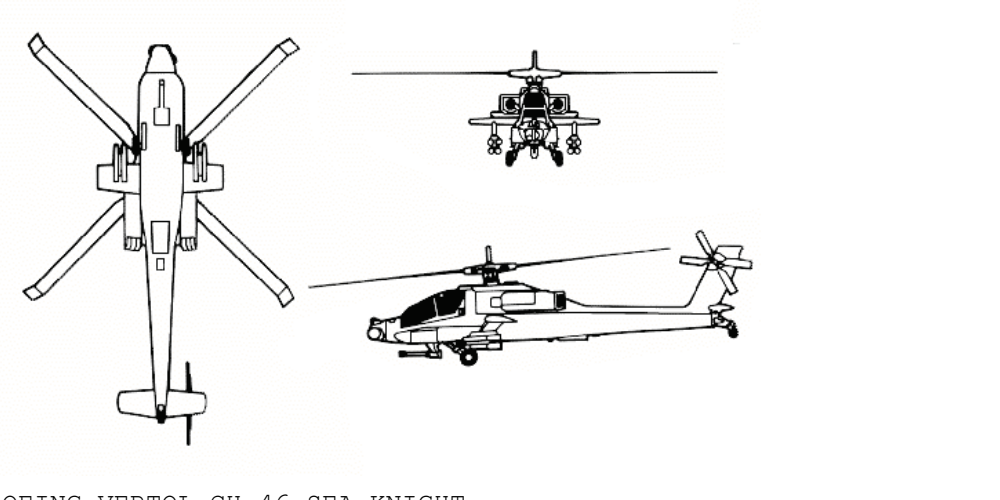
SIKORSKY SH-3 SEA KING
Rotor Diameter = 62 ft
Length = 54.8 ft
Gross Weight = 22,050 lb
UL = 10,185 lbs



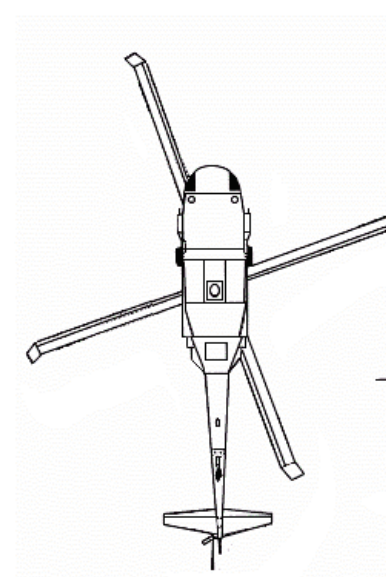
Bell-Boeing V-22 Osprey
Rotor Diameter = 38 ft
Length = 57.3 ft
Gross Weight = 60,500 lb
UL = 27,360 lbs



Boeing AH-64 APACHE
Rotor Diameter = 48 ft
Length = 49 ft
Gross Weight = 23,000 lb
UL = 11,613 lbs



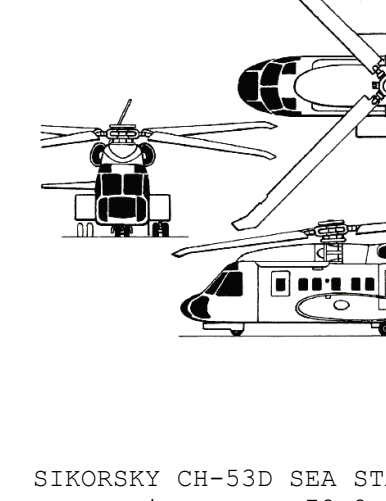
SIKORSKY UH-60A BLACK HAWK
Rotor Diameter = 53.7 ft
Length = 50.5 ft
Gross Weight = 23,500 lb
UL = 12,876 lbs



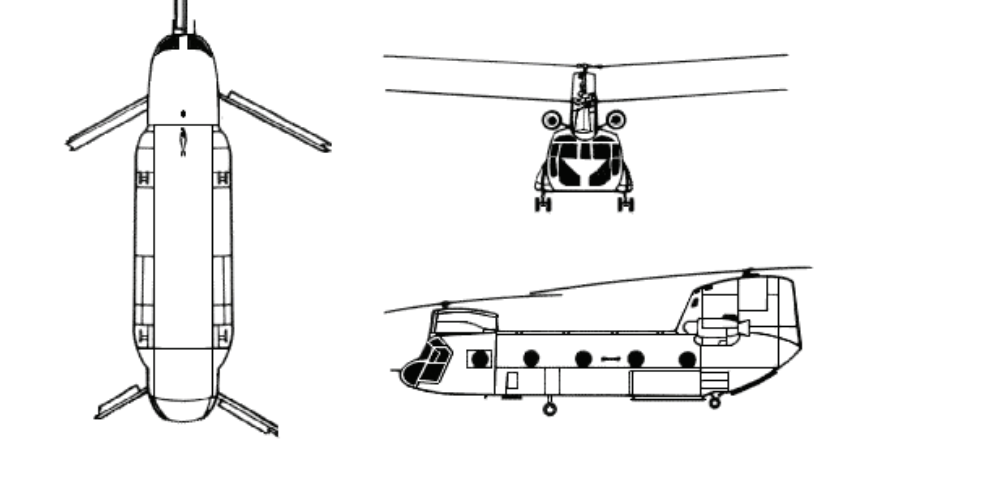
BOEING VERTOL CH-46 SEA KNIGHT
Rotor Diameter = 51 ft
Length = 45.7 ft
Gross Weight = 24,300 lb
UL = 8,763 lbs



SIKORSKY S-92
Rotor Diameter = 56.3 ft
Length = 56.2 ft
Gross Weight = 26,500 lb
UL = 11,000 lbs



BOEING VERTOL CH-47 CHINOOK
Rotor Diameter = 60 ft
Length = 52 ft
Gross Weight = 50,000 lb
UL = 24,000 lbs



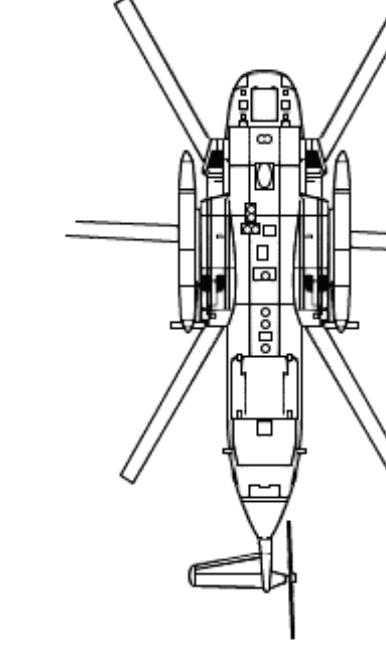
MBB Bo 105
Rotor Diameter = 32.3 ft
Length = 28.9 ft
Gross Weight = 5,511 lb
UL = 2,698 lbs



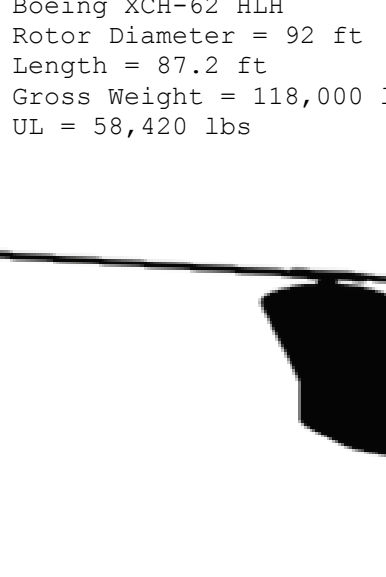
Plesceki YR-16
Rotor Diameter = 82 ft
Length = 78 ft
Gross Weight = 33,577 lb
UL = 14,000 lbs



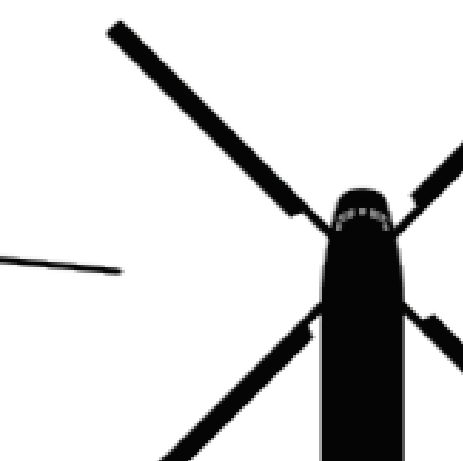
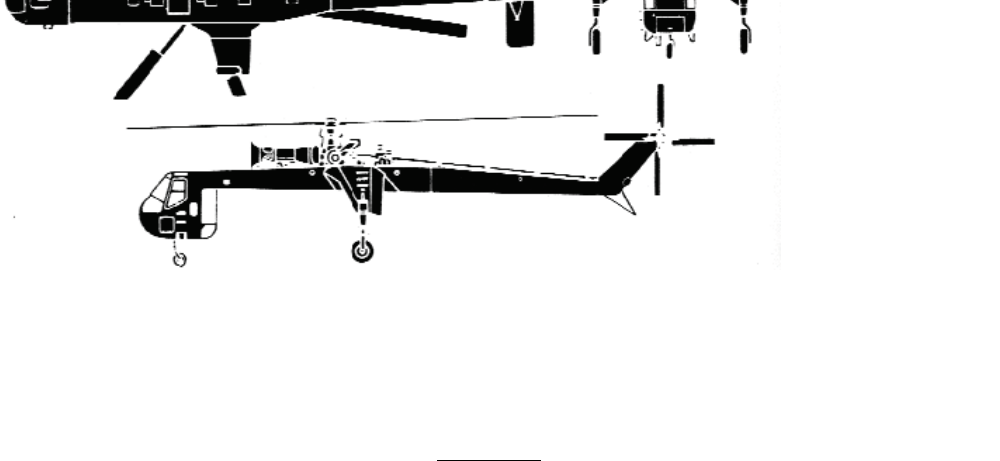
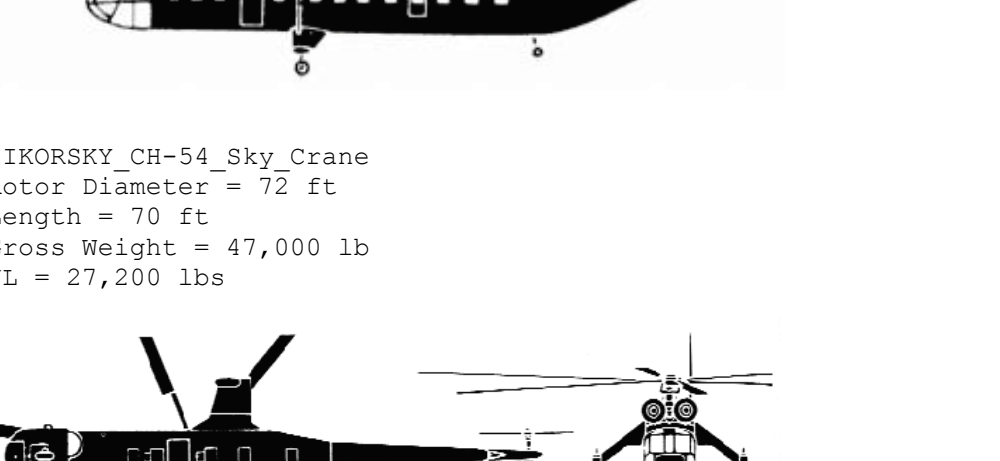
SIKORSKY CH-53D SEA STALLION
Rotor Diameter = 72.2 ft
Length = 67.5 ft
Gross Weight = 42,000 lb
UL = 18,372 lbs



Boeing XCH-62 HX
Rotor Diameter = 92 ft
Length = 87.2 ft
Gross Weight = 118,000 lb
UL = 58,420 lbs

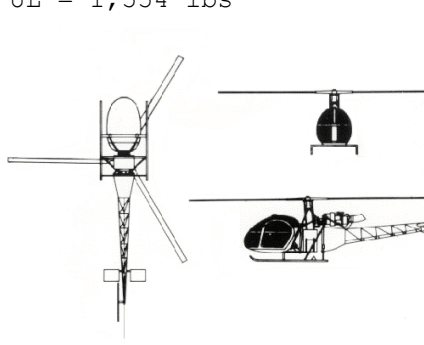


SIKORSKY CH-54 Sky Crane
Rotor Diameter = 72 ft
Length = 70 ft
Gross Weight = 47,000 lb
UL = 27,200 lbs

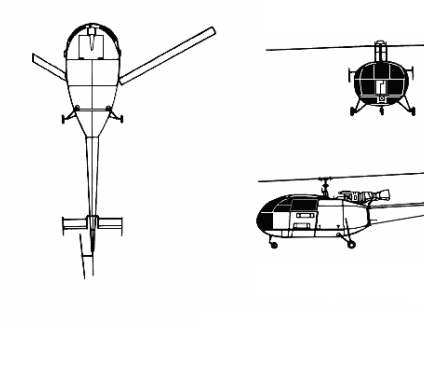


EUROPEAN ROTORCRAFT

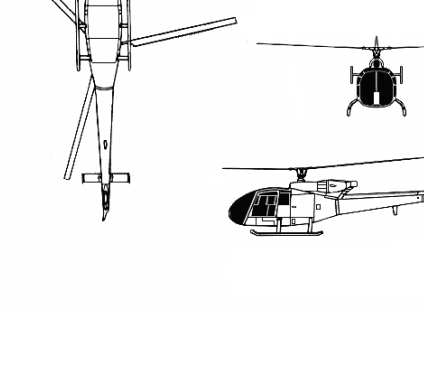
Aerospatiale SA - 313 Alouette II
Rotor Diameter = 33.5 ft
Length = 31.8 ft
Gross Weight = 3,527 lb
UL = 1,554 lbs



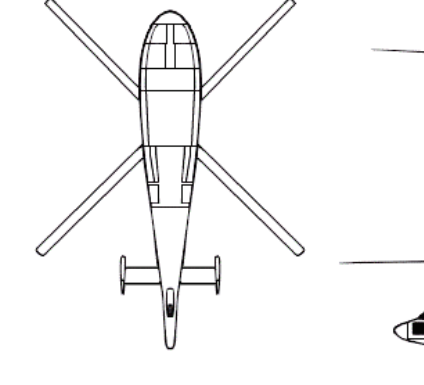
AEROSPATIALE SA - 316 ALOUCETTE III
Rotor Diameter = 36.1 ft
Length = 32.9 ft
Gross Weight = 4,850 lb
UL = 2,330 lbs



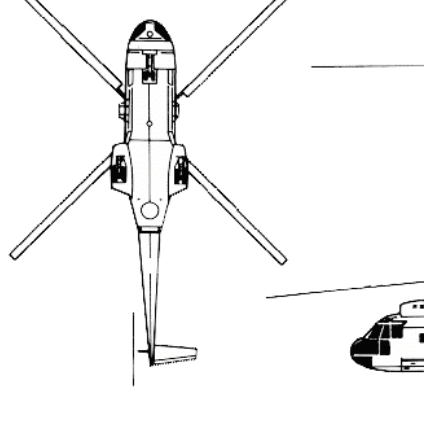
AEROSPATIALE SA - 341 WESTLAND GAZELLE
Rotor Diameter = 34.5 ft
Length = 31.3 ft
Gross Weight = 3,970 lb
UL = 1,968 lbs



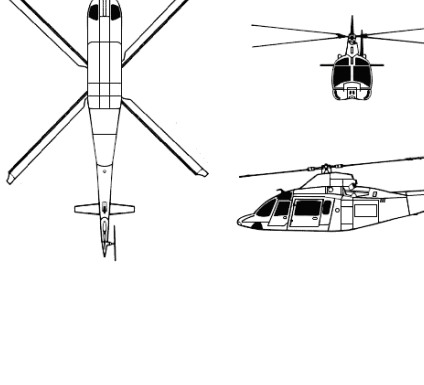
Aerospatiale SA - 365 Dauphin
Rotor Diameter = 39.2 ft
Length = 45.1 ft
Gross Weight = 9,480 lb
UL = 4,165 lbs



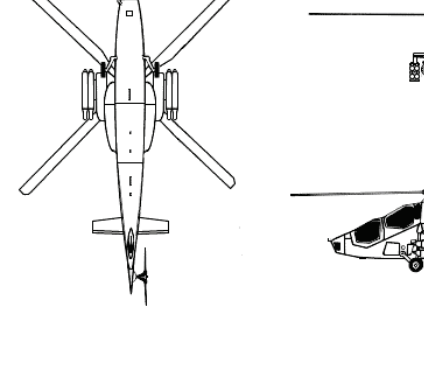
AEROSPATIALE SA - 330 WESTLAND PUMA
Rotor Diameter = 49.2 ft
Length = 46.1 ft
Gross Weight = 15,430 lb
UL = 7,635 lbs



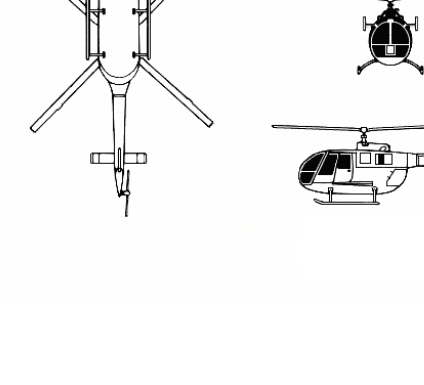
AGUSTA BRINNO A109
Rotor Diameter = 36.2 ft
Length = 35.1 ft
Gross Weight = 6,283 lb
UL = 2,822 lbs



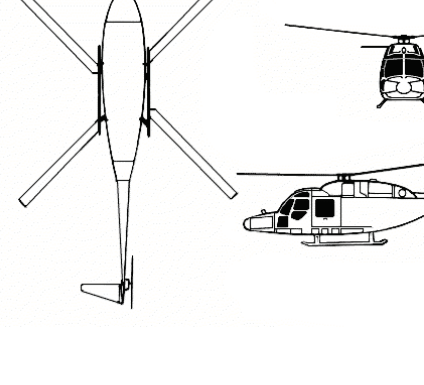
Agusta A129 Mangusta
Rotor Diameter = 39.1 ft
Length = 40.3 ft
Gross Weight = 10,140 lb
UL = 4,565 lbs



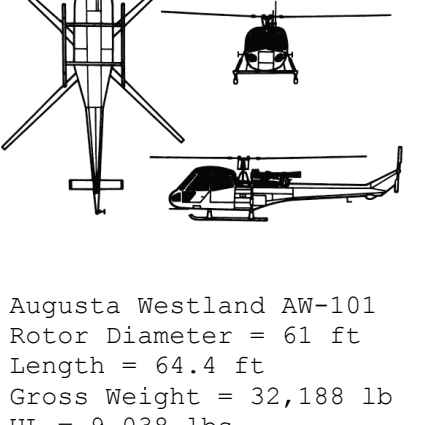
Westland Lynx
Rotor Diameter = 42 ft
Length = 39.7 ft
Gross Weight = 11,750 lb
UL = 4,495 lbs



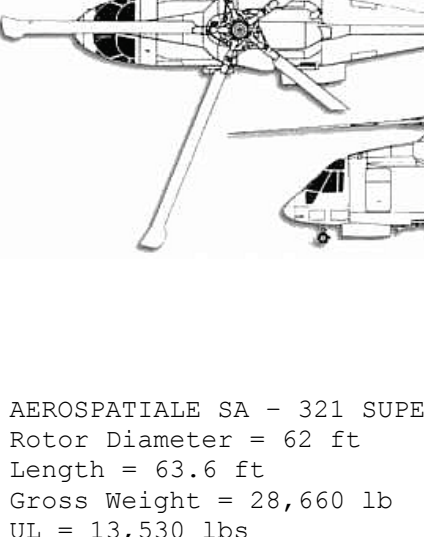
Westland SCOUT, WASP
Rotor Diameter = 32.3 ft
Length = 30.4 ft
Gross Weight = 5,300 lb
UL = 2,068 lbs



Agusta Westland AW-101
Rotor Diameter = 61 ft
Length = 64.4 ft
Gross Weight = 32,188 lb
UL = 9,038 lbs

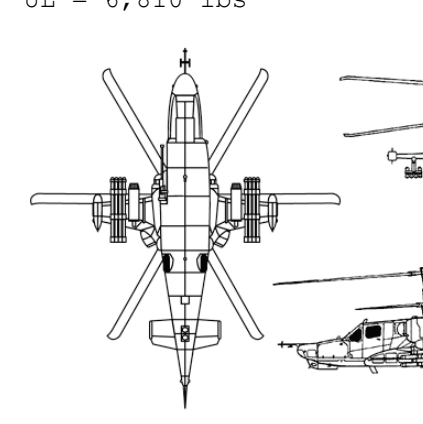


AEROSPATIALE SA - 321 SUPER FRELON
Rotor Diameter = 62 ft
Length = 63.6 ft
Gross Weight = 28,660 lb
UL = 13,530 lbs

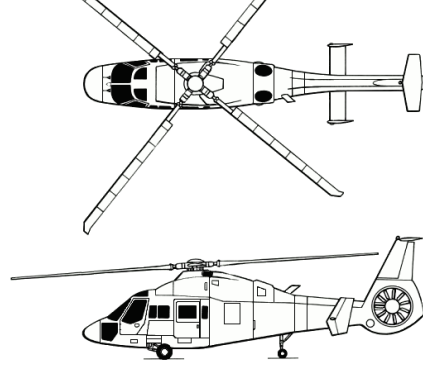


RUSSIAN ROTORCRAFT

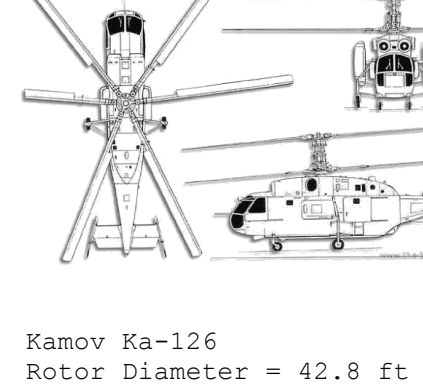
Kanov Ka-50 Hokum
Rotor Diameter = 47.6 ft
Length = 44.4 ft
Gross Weight = 23,810 lb
UL = 6,810 lbs



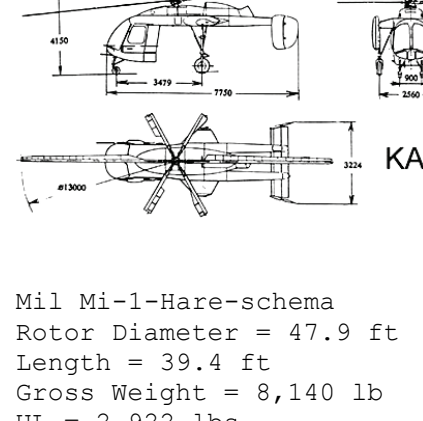
Kanov Ka-60
Rotor Diameter = 44.2 ft
Length = 44.2 ft
Gross Weight = 14,330 lb



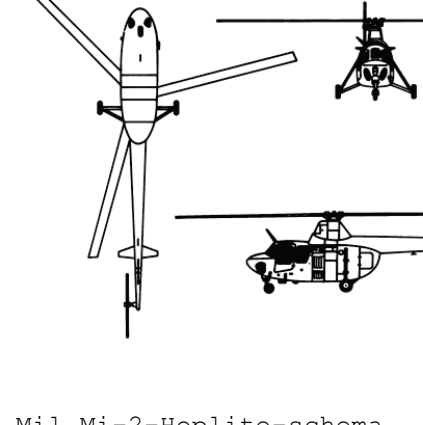
Kanov Ka-27 Helix
Rotor Diameter = 51.9 ft
Length = 37.1 ft
Gross Weight = 26,400 lb
UL = 12,100 lbs



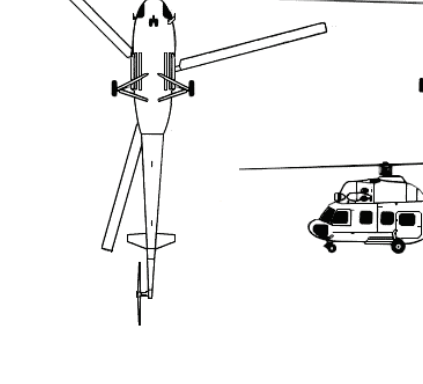
Kanov Ka-126
Rotor Diameter = 42.8 ft
Length = 25.4 ft
Gross Weight = 6,613 lb
UL = 2,453 lbs



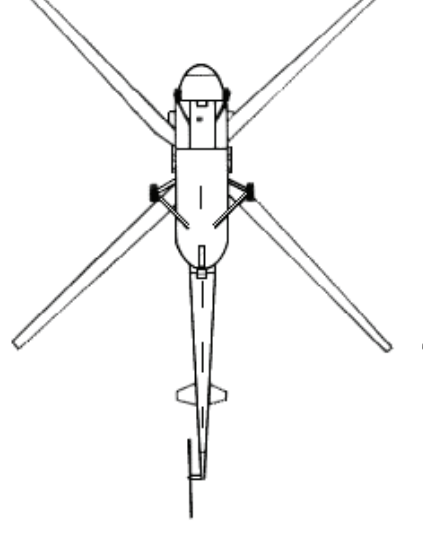
Mil Mi-1-Hare-schema
Rotor Diameter = 47.9 ft
Length = 39.4 ft
Gross Weight = 8,140 lb
UL = 2,922 lbs



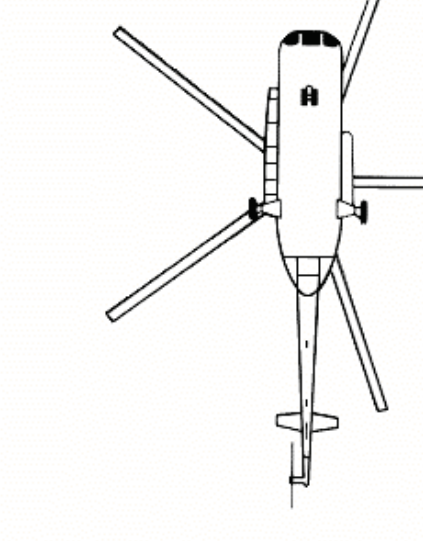
Mil Mi-2-HopLite-schema
Rotor Diameter = 47.1 ft
Length = 39.7 ft
Gross Weight = 5,126 lb
UL = 1,366 lbs



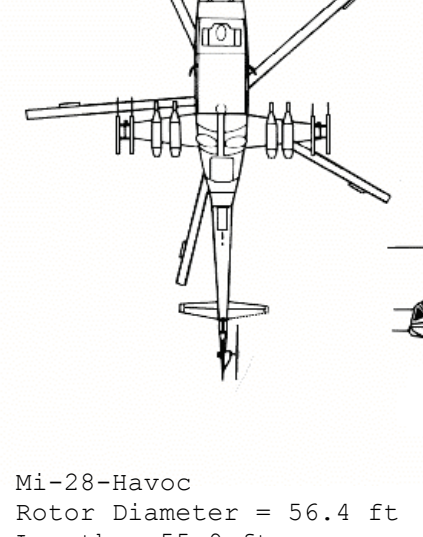
Mil Mi-4 HOOND
Rotor Diameter = 68.9 ft
Length = 55.1 ft
Gross Weight = 16,610 lb
UL = 5,390 lbs



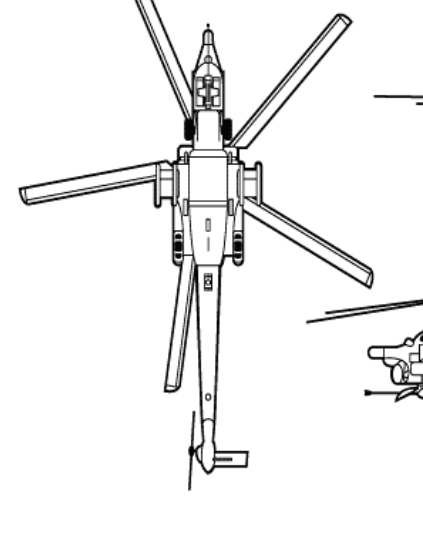
Mil Mi-8 HIP
Rotor Diameter = 69.9 ft
Length = 59.7 ft
Gross Weight = 26,455 lb
UL = 10,468 lbs



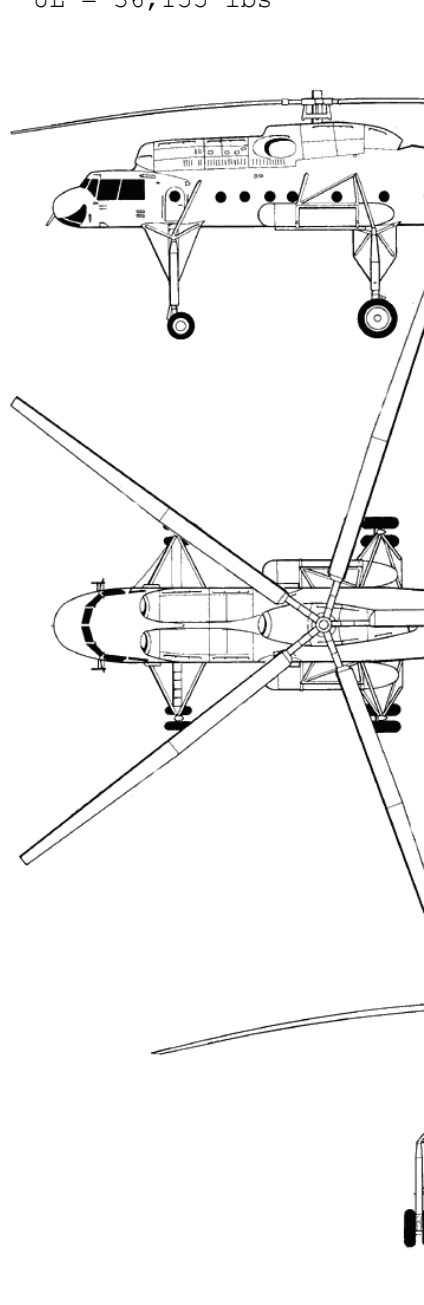
Mil Mi-24 HIND
Rotor Diameter = 56.5 ft
Length = 57.3 ft
Gross Weight = 26,500 lb
UL = 7,760 lbs



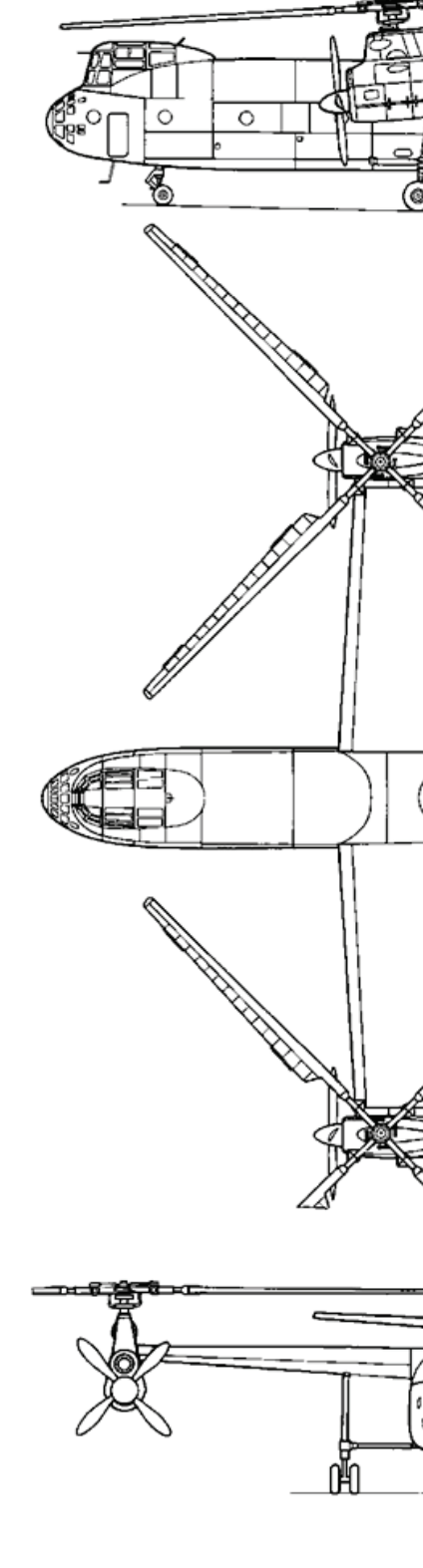
Mi-28-Havoc
Rotor Diameter = 56.4 ft
Length = 55.9 ft
Gross Weight = 25,350 lb
UL = 6,390 lbs



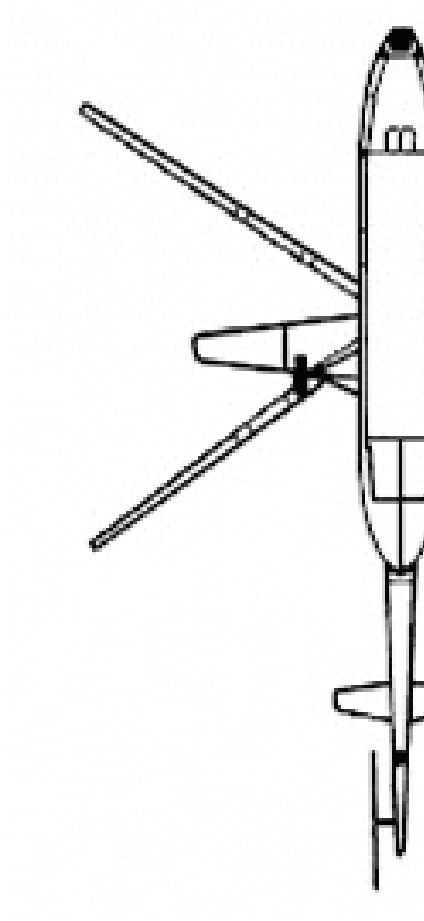
Mil Mi-10
Rotor Diameter = 114.9 ft
Length = 102.8 ft
Gross Weight = 96,3040 lb
UL = 36,155 lbs



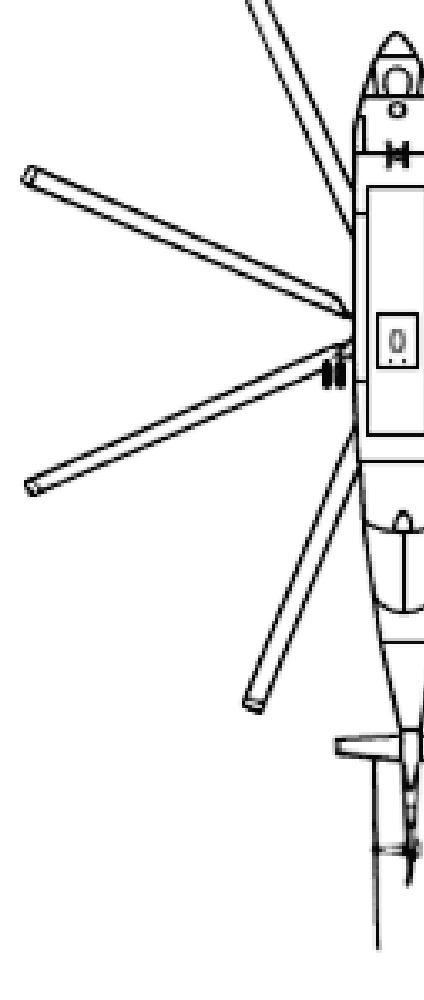
Kanov Ka-22
Rotor Diameter = 85.8 ft
Length = 102.8 ft
Gross Weight = 93,700 lb



Mil Mi-6 HOOK
Rotor Diameter = 114.9 ft
Length = 108.9 ft
Gross Weight = 93,700 lb
UL = 33,645 lbs



Mil Mi-26 HALO
Rotor Diameter = 105 ft
Length = 111 ft
Gross Weight = 123,459 lbs
UL = 61,280 lbs



Mil V-12
Rotor Diameter = 114.8 ft
Length = 121.3 ft
Gross Weight = 213,500 lb
PL = 55,650 lbs VTOL

